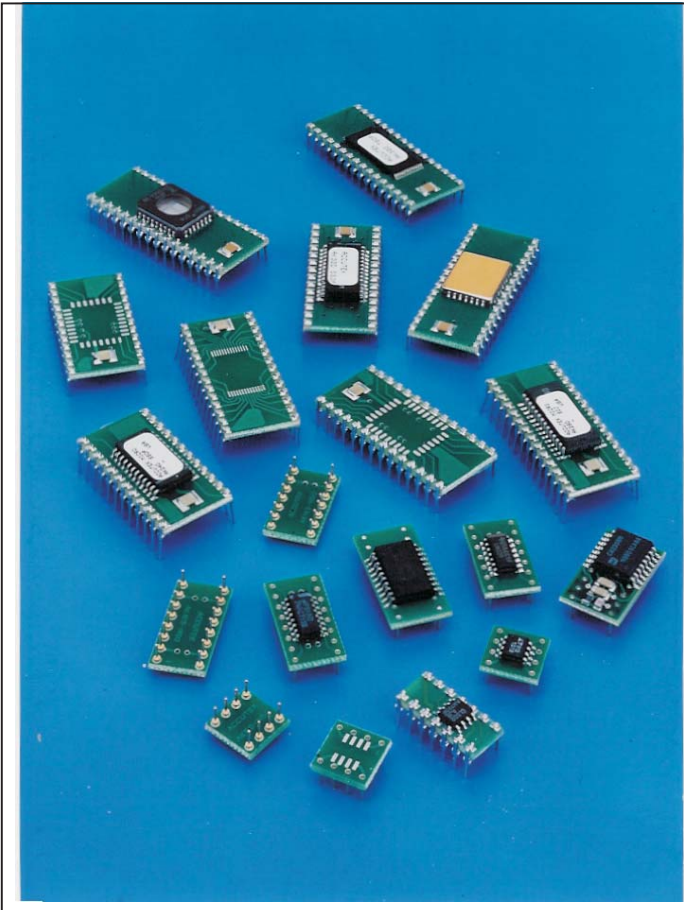


# Accutek Microcircuit Corporation

## 36 Pin to 44 Pin DIP Adapters

## DIP ADAPTER MODULES ELIMINATE THE NEED TO REDESIGN MOTHERBOARDS OR MAY BE USED FOR BREADBOARD PROTOTYPING



This new family of Accutek DIP Adapter Modules converts surface mount IC's to pin compatible DIP packages for creating drop-in replacements for end-of-life DIP IC's. Package types supported are: SOJ, PLCC, SOIC, SOP, TSOP, QSOP, HSOP, MSOP, LLP (Leadless Leadframe Package), CSP (Chip Scale Package) and CLCC.

These DIP Adapters were developed for users with motherboard designs that require DIP's, now obsolete by manufacturers. These adapter modules save costly motherboard redesigns.

Available with machined or flat contact pins. Accutek DIP Adapter Modules feature 4 to 84 pins, are fully assembled and tested and may include a decoupling capacitor. These DIP Adapters can be manufactured turnkey or from customer supplied surface mount chips. Modules range in length from 0.200" to 4.200" depending on number of pins and incorporate 0.300", 0.400", 0.600", 0.900", 1.200" and 1.400" row-to-row spacing with 0.100" lead spacing.

Custom configurations up to 200 pins, multi-chip and double sided modules are also available for special functions. A variety of pin lengths with varying diameters as well as custom sizes and spacing can be specified with different materials and finishes. All modules are designed in-house using PCB CAD workstations. Automated assembly and 100% testing are also performed in-house.

### FEATURES

- Saves costly redesign of current motherboards
- Fully tested with lifetime limited warranty
- May include an on board decoupling capacitor
- IC assembly and testing available
- EPROM and Flash programming available
- Custom lead lengths available
- Custom multi-chip and double-sided modules available

### ORDERING OPTIONS

- Adapter only
- Customer supplies chips - Accutek assembles on Accutek adapters, tests and delivers finished product in antistatic tubes.
- Complete turnkey - Accutek purchases IC's and passives. Then assembles, tests and delivers finished product in antistatic tubes.



#### ACCUTEK MICROCIRCUIT CORPORATION

BUSINESS CENTER at NEWBURYPORT

2 NEW PASTURE ROAD, SUITE 1

NEWBURYPORT, MA 01950-4054

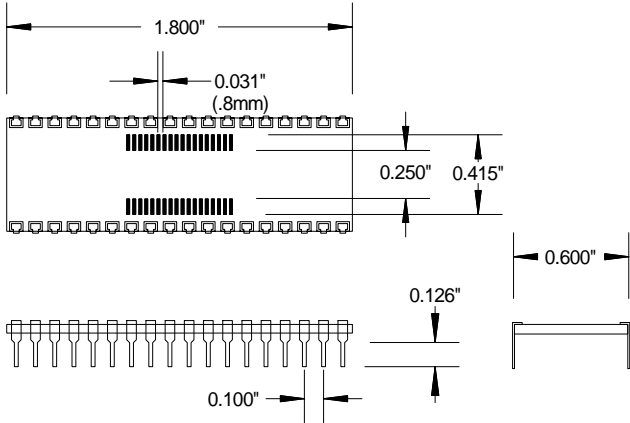
PHONE: 978-465-6200

FAX: 978-462-3396

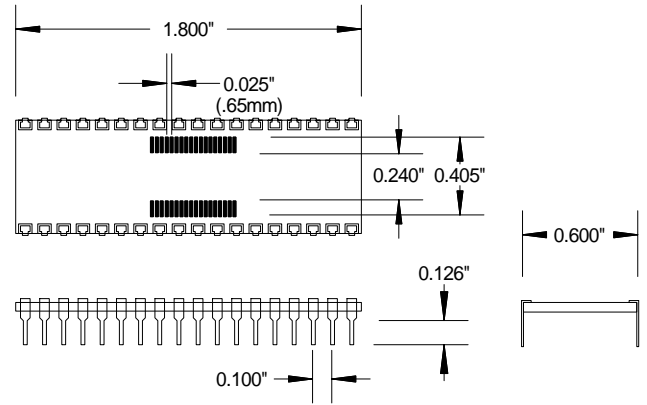
E-Mail: sales@accutekmicro.com

Internet: www.accutekmicro.com

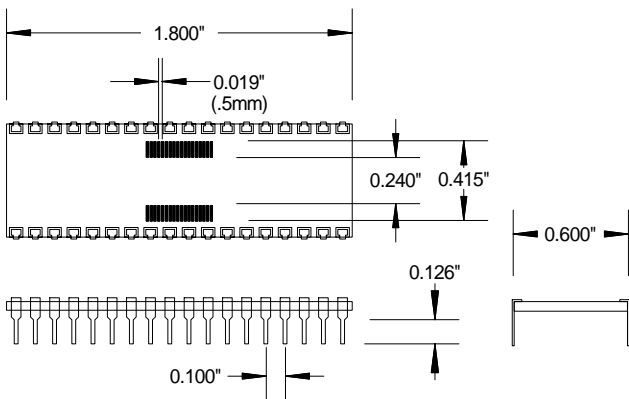
**AK36D600-TSSOP.8**  
 .8mm TSSOP  
 TO 36 PIN DIP



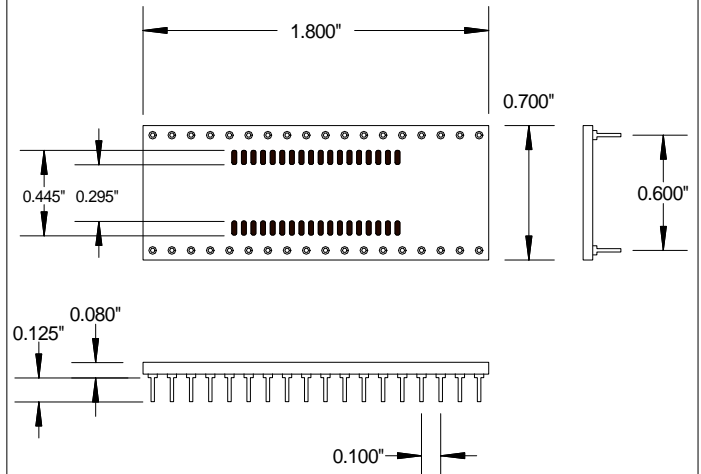
**AK36D600-TSSOP.65**  
 .65mm TSSOP  
 TO 36 PIN DIP



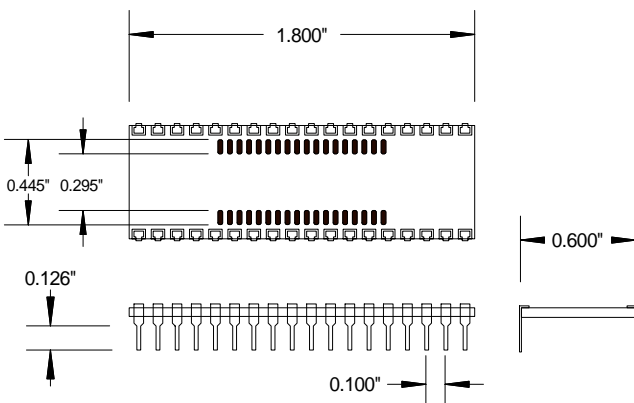
**AK36D600-TSSOP.5**  
 .5mm TSSOP  
 TO 36 PIN DIP



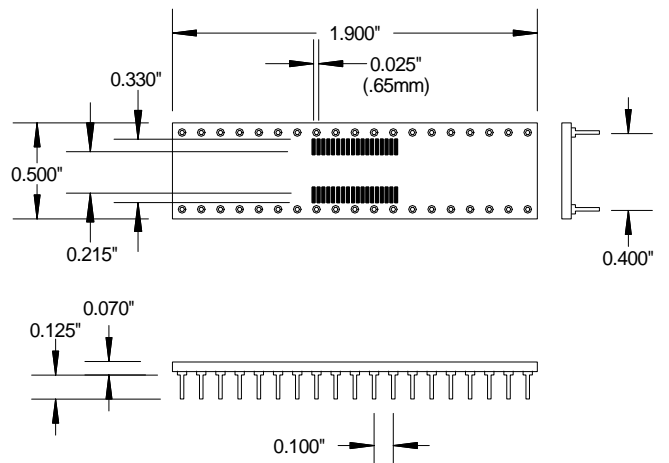
**AK36D600M-SOJ4**  
 36 PIN 400MIL SOJ TO DIP (MACHINED PINS)



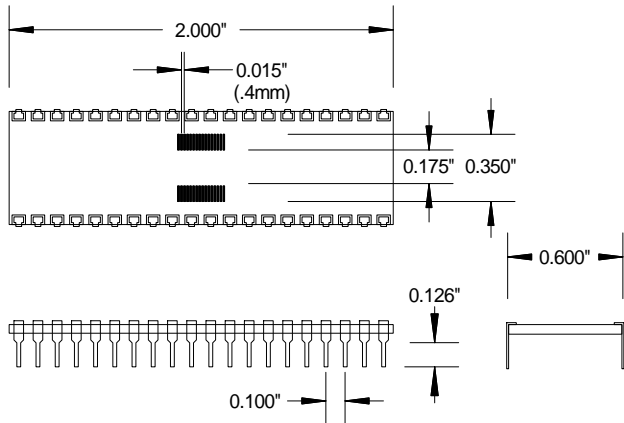
**AK36D600M-SOJ4**  
 400 MIL SOJ  
 TO 36 PIN DIP



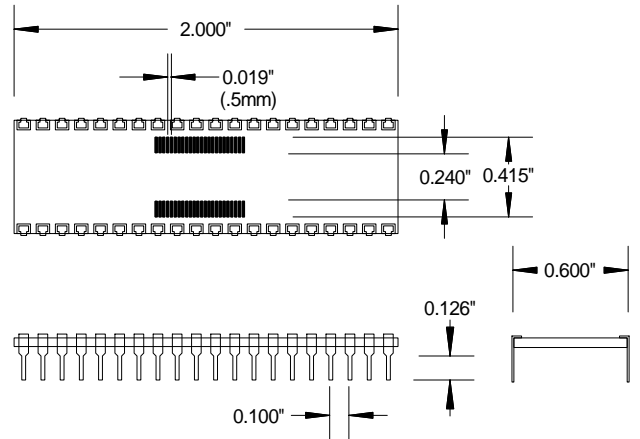
**AK38D400-SSOP**  
 38 PIN SSOP & TSOP TO DIP



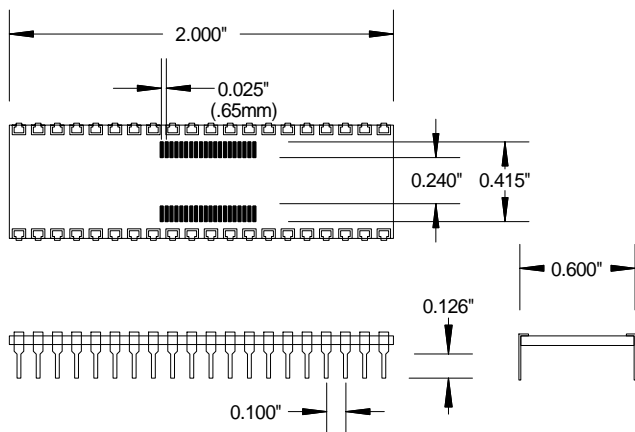
**AK40D600-TSSOP.4**  
**.4MM TSSOP**  
**TO 40 PIN DIP**



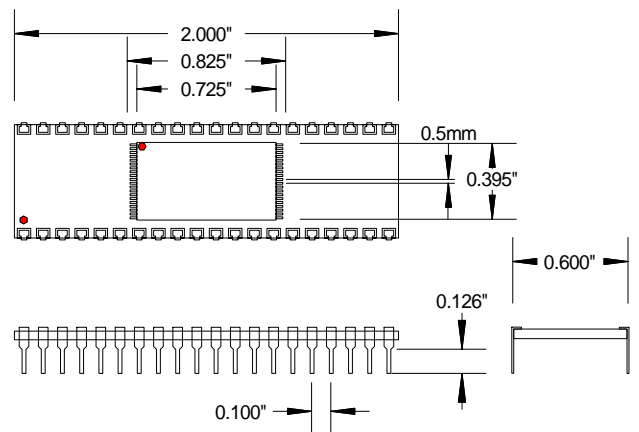
**AK40D600-TSSOP.5**  
**.5MM TSSOP**  
**TO 40 PIN DIP**



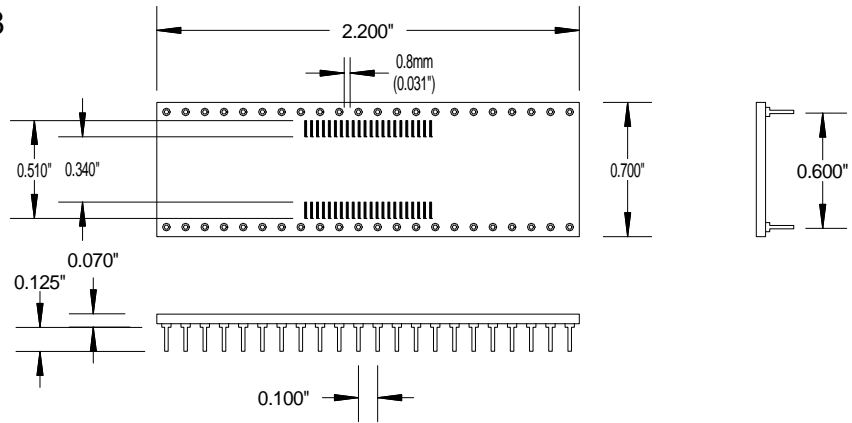
**AK40D600-TSSOP.65**  
**.65MM TSSOP**  
**TO 40 PIN DIP**



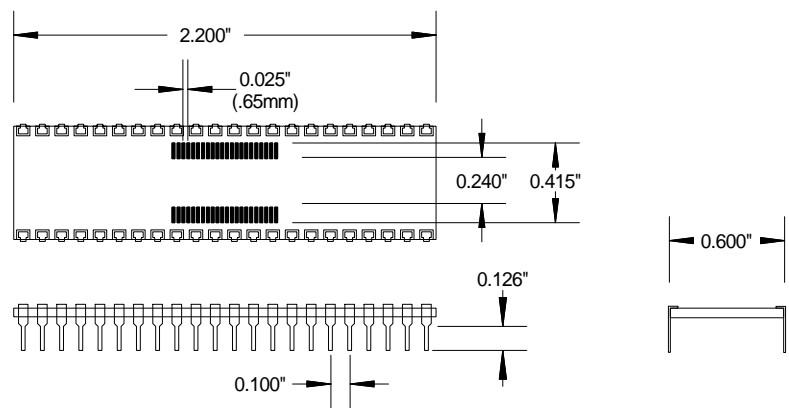
**AK40D600-TSOP**  
**40 PIN TSOP TO DIP**



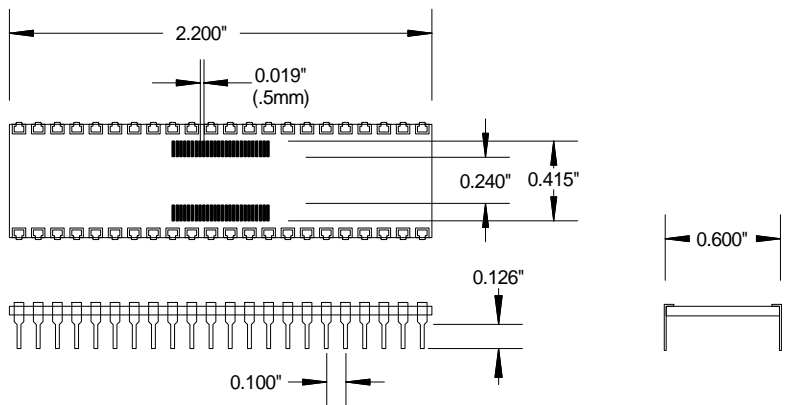
AK44D600-TSSOP.8  
 .8MM TSSOP  
 TO 44 PIN DIP



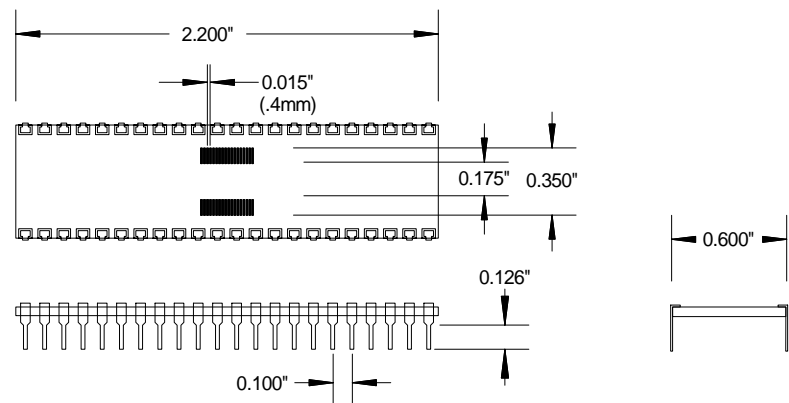
AK44D600-TSSOP.65  
 .65MM TSSOP  
 TO 44 PIN DIP



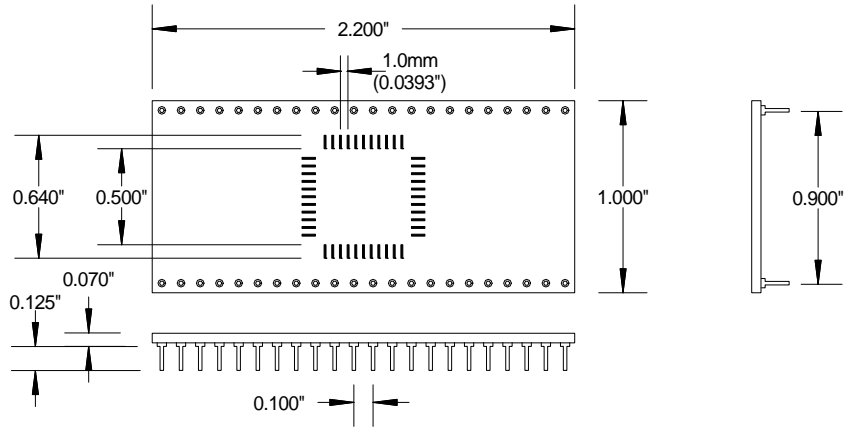
AK44D600-TSSOP.5  
 .5MM TSSOP  
 TO 44 PIN DIP



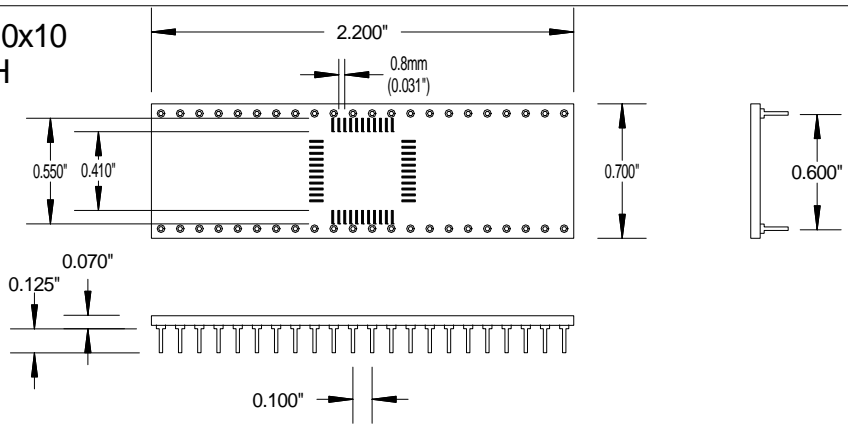
AK44D600-TSSOP.4  
 .4MM TSSOP  
 TO 44 PIN DIP



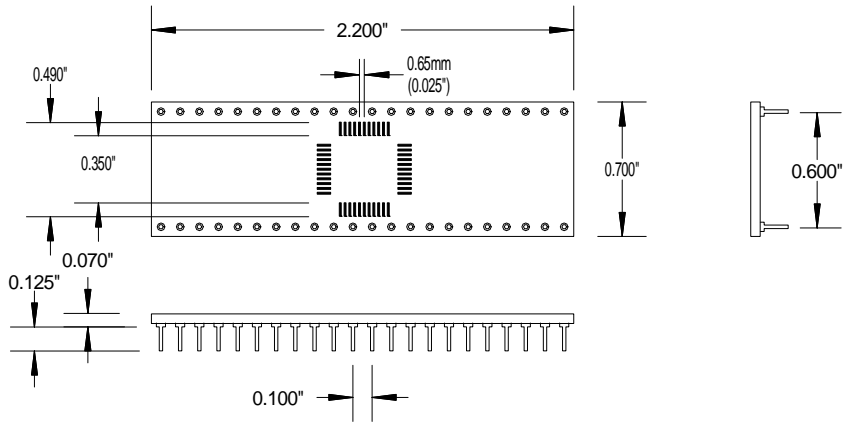
AK44D900-QFP 1.0mm  
QFP 1.0mm PITCH  
TO 44 PIN DIP



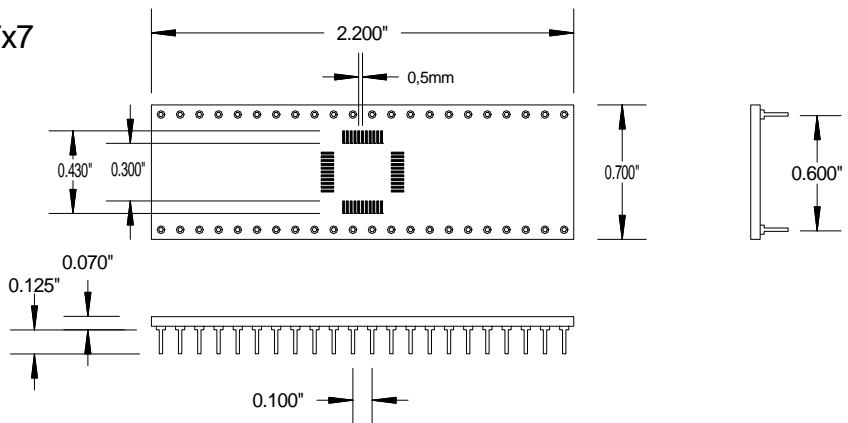
AK44D600-QFP .8mm 10x10  
10x10 QFP .8mm PITCH  
TO 44 PIN DIP



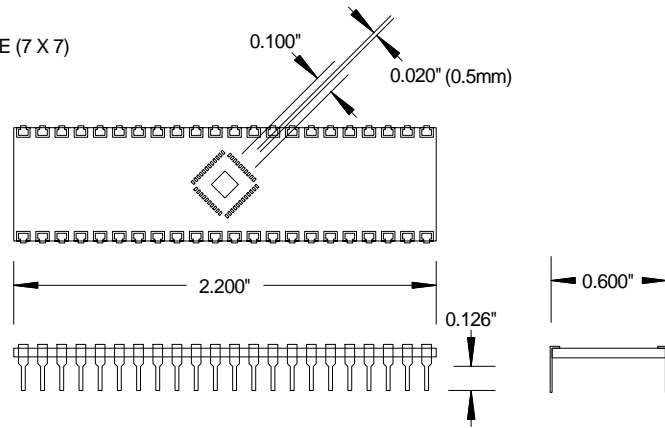
AK44D600-QFP .65mm  
QFP .65mm PITCH  
TO 44 PIN DIP



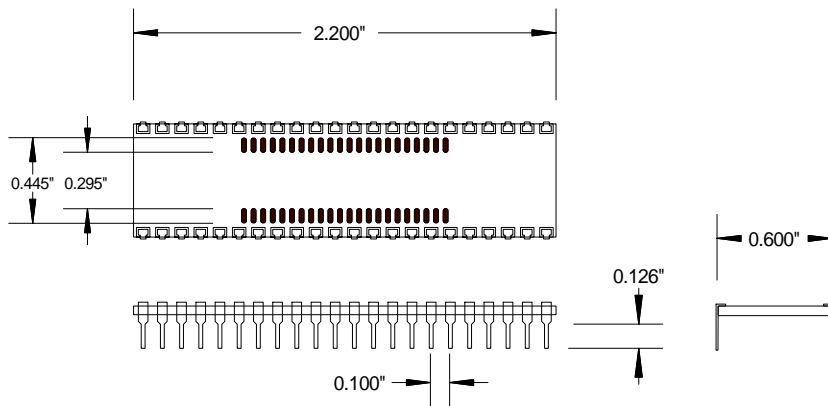
AK44D600-QFP .5mm 7x7  
7x7 QFP .5mm PITCH  
TO 44 PIN DIP



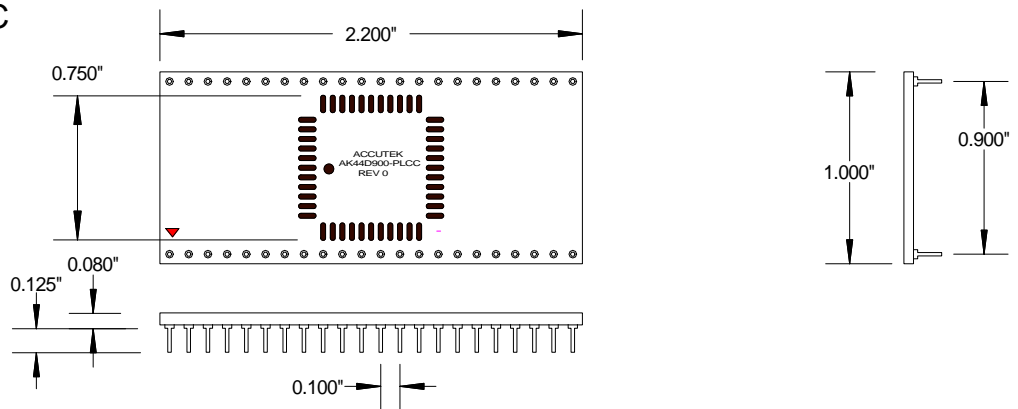
**AK44D-LLP**  
LEADLESS LEADFRAME PACKAGE (7 X 7)  
TO 44 PIN DIP



**AK44D600-SOJ**  
400 MIL SOJ  
TO 44 PIN DIP



**AK44D900-PLCC**  
44 PIN PLCC TO DIP



**AK44DS900-PLCC**  
(with PLCC  
Socket included)  
44 PIN PLCC SOCKET TO DIP

